

KEEPING AN EYE  
ON AIR QUALITY

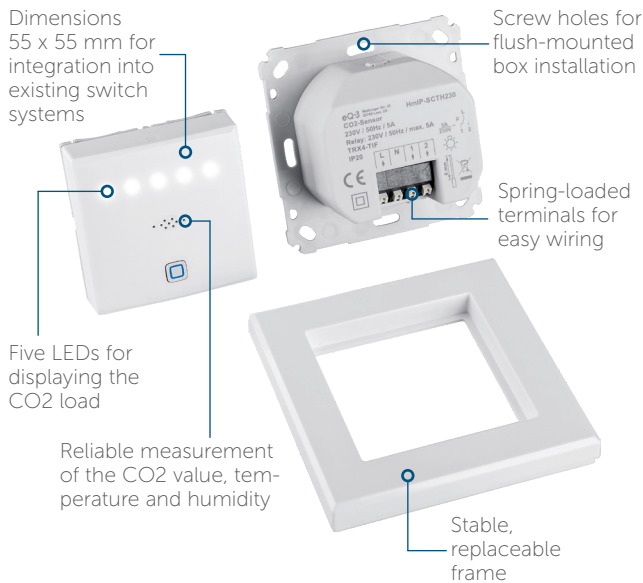
## CO2 Sensor, 230 V

HmIP-SCTH230

The intensity of the CO2 load is a strong indicator of the air quality in your home and this can affect your health. This reliable sensor from Homematic IP measures the CO2 content in the room. It displays the current CO2 load via five integrated LEDs as well as via the Homematic IP app.



homematic <sup>IP</sup>  
Smart Living, Simply Exciting.



## VERSATILE SENSOR FOR ENHANCED WELL-BEING

This high-quality and reliable CO2 sensor measures the CO2 content in ppm. Along with the CO2 load, the sensor also measures the temperature and humidity in the room. The current measured values for the room air can always be viewed via the Homematic IP app.

Operation requires connection to one of the following solutions:

- Homematic IP Access Point (HmIP-HAP) with free smartphone app and free cloud service
- Central Control Unit CCU2/CCU3 with the local user interface WebUI
- Third-party solutions of partners

## TECHNICAL SPECIFICATIONS

Supply voltage	230 V/50 Hz
Standby power consumption	0.55 W
Max. switching capacity	1150 W
Load type	Ohmic load
Relay	Changeover contact
Cable type and cross section	Rigid and flexible cable, 0.75-1.5 mm <sup>2</sup>
Installation	Only in normal commercial switch boxes (device boxes) in accordance with DIN 49073-1.
Degree of protection	IP20
Ambient temperature	5 to 35°C
Dimensions (W x H x D)	
Without frame:	71 x 71 x 54 mm
Including frame:	86 x 86 x 54 mm
Depth for flush mounting:	32 mm
Weight	125 g
Radio frequency band	868.0-868.60 MHz 869.4-869.65 MHz
Typ. open area RF range	230 m

## LED DISPLAY AS CO2 INDICATOR

The five integrated LEDs show the CO2 load directly on the device. One lit LED indicates very good air quality, whereas five lit LEDs indicate a very high CO2 value. Regular and thorough ventilation can counteract the high CO2 load.

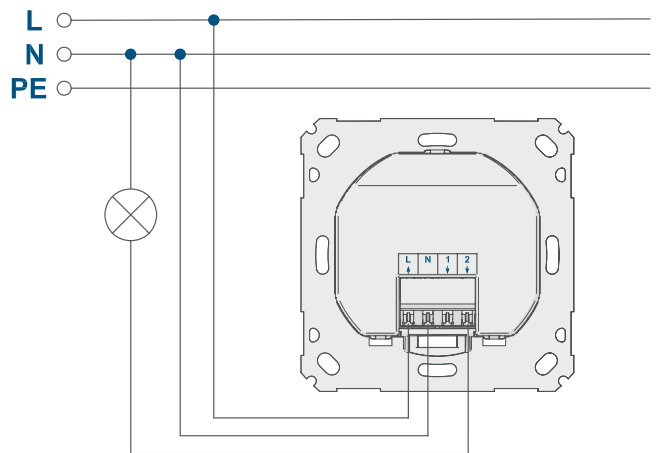
In addition, it is also possible to define a light as an automatic alarm via a set threshold when a specified CO2 level has been reached.

## HIGHLY FLEXIBLE DUE TO ITS MODULAR DESIGN

Because of its flexibly combinable design, the CO2 sensor can be integrated into existing switch systems (with 55 mm frames) from the most popular manufacturers ([www.homematic-ip.com](http://www.homematic-ip.com) provides an overview of compatible manufacturers).

## EASY TO INSTALL

Compact housing for easy installation in standard flush-mounted boxes. The installation is made even easier due to the screw-free, spring-loaded terminals.



A neutral conductor is required for the installation of the CO2 sensor.

## LOGISTICAL DATA

Product reference	155592A0
EAN code:	4047976555925
Short description	HmIP-SCTH230
Packing unit	60
Packing dimensions	122 x 112 x 73 mm
Weight incl. packaging	241.9 g

## PACKAGE CONTENTS

Homematic IP CO2 sensor, 230 V  
Clip-on frame and voltage supply unit  
Mounting materials (screws)  
Operating manual